

SKU609 Ultra Wideband Module Datasheet

Document Information

Title SKU609 Ultra Wideband Module Datasheet

Document type Datasheet

Document number SL-19010101

Revision and date V1.02 15-Sep-2020

Disclosure restriction Public

Revision History

Revision	Description	Approved	Date
V1.01	Initial Release	Benson	20181201
V1.02	Change temperature parameters	Benson	20200915

This document applicable to the following products :

Product name	Type number	Product status
SKU609	SKU609 (09356)	Mass Production

SKYLAB reserves all rights to this document and the information contained herein. Products, names, logos and designs described herein may in whole or in part be subject to intellectual property rights. Reproduction, use, modification or disclosure to third parties of this document or any part thereof without the express permission of SKYLAB is strictly prohibited.

The information contained herein is provided “as is” and SKYLAB assumes no liability for the use of the information. No warranty, either express or implied, is given, including but not limited, with respect to the accuracy, correctness, reliability and fitness for a particular purpose of the information. This document may be revised by SKYLAB at any time. For most recent documents, visit www.skylab.com.cn.

Copyright © 2018, Skylab M&C Technology Co., Ltd.

SKYLAB® is a registered trademark of Skylab M&C Technology Co., Ltd in China

Contents

1 General Description.....	4
2 Applications.....	4
3 Features.....	4
3 Key Benefits.....	5
4 Applications Block Diagram.....	6
5.Electrical Specification.....	6
5.1 Nominal Operating Conditions.....	6
5.2 DC Characteristics.....	7
5.3 Receiver AC Characteristic.....	8
5.4 Receiver Sensitivity Characteristics.....	8
5.5 Transmitter AC Characteristics.....	9
5.6 Absolute Maximum Ratings.....	9
6 Module Pinout and Pin Description.....	10
6.1 Module Pinout.....	10
6.2 Pin Description.....	11
7 PCB Design Guide.....	14
8 PCB Footprint and Dimensions.....	15
8.1 Module Drawings.....	15
8.2 Module Land Pattern.....	16
9 Manufacturing Process Recommendations.....	17
10 Packaging Specification.....	18
11 Contact Information.....	19

1 General Description

The SKU609 module is based on Decawave's DW1000 Ultra Wideband (UWB) transceiver IC, which is an IEEE 802.15.4-2011 UWB implementation. It integrates UWB and Bluetooth® antenna, all RF circuitry, Nordic Semiconductor nRF52832 and a motion sensor.



Figure 1-1: SKU603 Top View

2 Applications

- ◆ Healthcare (locate assets, patients & staff) .
- ◆ Industrial (asset-tracking, factory automation).
- ◆ Retail (security, navigation, customer analytics).
- ◆ Consumer (connected home, sports analytics).

3 Features

- ◆ Ranging accuracy to within 10cm.
- ◆ 6.8 Mbps data rate.
- ◆ 60 m line-of-sight range typical.
- ◆ IEEE 802.15.4-2011 UWB compliant.

- ◆ Nordic Semiconductor nRF52832.
- ◆ Bluetooth® connectivity.
- ◆ Bluetooth® chip antenna.
- ◆ Motion sensor: 3-axis accelerometer.
- ◆ Current consumption optimised for low power sleep mode: <15µA.
- ◆ Supply voltage: 2.8 V to 3.6 V.
- ◆ Size: 19.1 mm x 26.2 mm x 2.6 mm.

3 Key Benefits

- ◆ Enables anchors, tags & gateways to quickly get an entire RTLS system up-and-running
- ◆ Accelerates product designs for faster Time-to-Market & reduced development costs
- ◆ Over-the-air updates
- ◆ User API to SKU609 firmware (available as a library) for user code customisation
- ◆ On-board Bluetooth® SMART for connectivity to phones/tablets/PCs
- ◆ SPI, UART and Bluetooth® APIs to access SKU609 firmware from an external device
- ◆ Low-power hardware design and software architecture for longer battery life

4 Applications Block Diagram

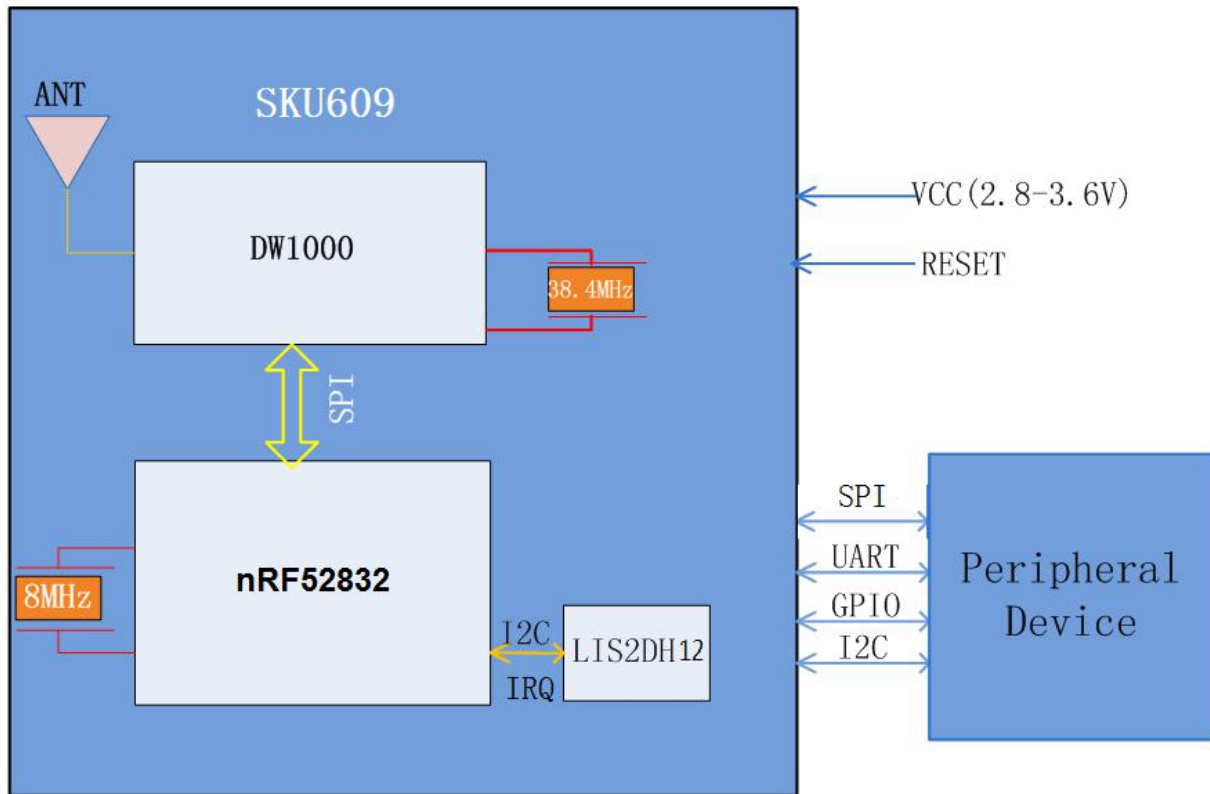


Figure 4-1: SKU609 Block Diagram

5. Electrical Specification

The following tables give detailed specifications for the SKU609 module. Tamb = 25 °C for all specifications given.

5.1 Nominal Operating Conditions

Parameter	Min.	Typ.	MAX.	Units	Condition/Note
Operating temperature	-40		+85	°C	
Supply voltage VCC	2.8	3.3	3.6	V	Normal operation
Voltage on VDDIO	3.7	3.8	3.9	V	Supply is

for programming OTP					connected to the OTP in the SKU609 this supply is connected to the VDDIO test point which is underneath the PCB
------------------------	--	--	--	--	---

Table 5-1: SKU609 Operating Conditions

5.2 DC Characteristics

Parameter	Min.	Typ.	Max.	Units	Condition/Note
Supply current in DEEPSLEEP mode		4		μA	All peripherals in lowest power consumption mode Achievable where RTC and accelerometer are disabled with custom firmware.
Supply current in DEEP SLEEP mode		12		μA	RTC and accelerometer operational, all other peripherals in lowest power consumption mode
Supply current in IDLE mode		13		mA	MCU and DW1000 awake
TX peak current		111		mA	
TX mean current		82		mA	
RX peak current		154		mA	
RX mean current		134		mA	

Current in Bluetooth® discovery mode		6		mA	
Digital input voltage high	0.7 x VCC		VCC	V	
Digital input voltage low	GND		0.3 x VCC	V	
Digital output voltage high	0.7 x VCC		VCC	V	
Digital output voltage low	GND		0.3 x VCC	V	

Table5-2: SKU609 Receiver DC Characteristics

5.3 Receiver AC Characteristic

Parameter	Min.	Typ.	Max.	Units	Condition/Note
Frequency range	6240		6739.2	MHz	Centre Frequency 6489.6 MHz (only in china)
Frequency range	3774		4243.2	MHz	Centre Frequency 3993.6 MHz

Table 5-3: SKU609 Receiver AC Characteristic

5.4 Receiver Sensitivity Characteristics

$T_{amb} = 25\text{ }^{\circ}\text{C}$, 20 byte payload. These sensitivity figures assume an antenna gain of 0 dBi and should be modified by the antenna characteristics, depending on the orientation of the SKU609.

Packet Error	Data Rate	Receiver Sensitivity	Units	Condition/Note
--------------	-----------	----------------------	-------	----------------

Rate						
1%	6.8 Mbps	-98*(-92)	dBm/500 MHz	Preamble 128	Carrier frequency offset ±10 ppm	All measurements performed on Channel 5, PRF 64 MHz
10%	6.8 Mbps	-99*(-93)	dBm/500 MHz	Preamble 128		

Table 5-4: SKU609 Typical Receiver Sensitivity Characteristics

*equivalent sensitivity with Smart TX Power enabled. This is enabled in the onboard firmware.

5.5 Transmitter AC Characteristics

Parameter	Min.	Typ.	Max.	Units	Condition/Note
Output power spectral density			-41.3*	dBm/MHz	
Output Channel Power		-17		dBm/500MHz	

Table 5-5: SKU609 Transmitter AC Characteristics

* If using the pre-loaded embedded firmware of the SKU609 module

5.6 Absolute Maximum Ratings

Parameter	Min.	Max.	Units
Supply voltage	2.8	3.9	V
Receiver power		0	dBm
Temperature - Storage temperature	-40	+125	°C
Temperature – Operating temperature	-40	+85	°C
ESD (Human Body Model)		2000	V

SKU609 pins other than VCC, VDDIO and GND		3.6	Note that 3.6 V is the max voltage that may be applied to these pins
---	--	-----	--

Table 5-6: SKU609 Absolute Maximum Ratings

Stresses beyond those listed in this table may cause permanent damage to the device. This is a stress rating only; functional operation of the device at these or any other conditions beyond those indicated in the operating conditions of the specification is not implied. Exposure to the absolute maximum rating conditions for extended periods may affect device reliability.

6 Module Pinout and Pin Description

6.1 Module Pinout

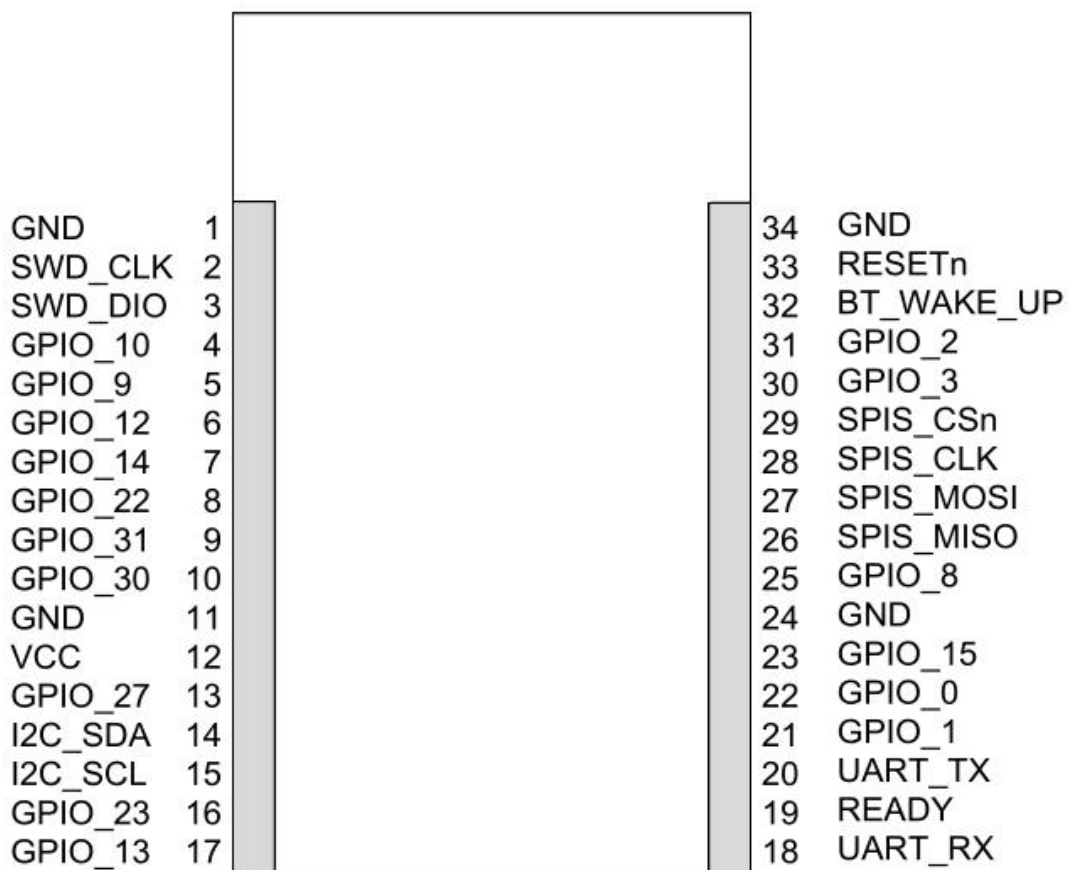


Figure 6-1: SKU609 Module Pinout (TOP View)

6.2 Pin Description

Pin No.	Pin Name	I/O	Description
1	GND	G	Common ground.
2	SWD_CLK	P	Serial wire debug clock input for debug and programming of Nordic Processor.
3	SWD_DIO	DIO	Serial wire debug I/O for debug and programming of Nordic Processor
4	GPIO_10	DIO	General purpose I/O pin.
5	GPIO_9	DIO	General purpose I/O pin.
6	GPIO_12	DIO	General purpose I/O pin.
7	GPIO_14	DIO	General purpose I/O pin.
8	GPIO_22	DIO	General purpose I/O pin.
9	GPIO_31	DIO	General purpose I/O pin. ADC function of nRF52
10	GPIO_30	DIO	General purpose I/O pin. ADC function of nRF52
11	GND	G	Common ground
12	VCC	P	External supply for the module. 2.8V - 3.6V
13	GND	G	Ground
14	I2C_SDA (Master)	DIO	Master I2C Data Line.
15	I2C_SCL (Master)	DO	Master I2C Clock Line
16	GPIO_23	DIO	General purpose I/O pin.
17	GPIO_13	DIO	General purpose I/O pin.
18	UART_RX	DI	UART_RX

19	READY	DO	Generated interrupt from the device.Indicates events such as SPI data ready, or location data ready.
20	UART_TX	DIO	UART_TX, This is also the ADC function of the nRF52832
21	GPIO_1	DIO	General purpose I/O pin of the DW1000.It may be configured for use as a SFDLED driving pin that can be used to light a LED when SFD (Start Frame Delimiter) is found by the receiver.
22	GPIO_0	DIO	General purpose I/O pin of the DW1000.It may be configured for use as a RX OK LED driving pin that can be used to light a LED on reception of a good frame.
23	GPIO_15	DIO	General purpose I/O pin.
24	GND	G	Common GND
25	GPIO_8	DIO	General purpose I/O pin.
26	SPIS_MISO	DIO	Configured as a SPI slave this pin is the SPI data output
27	SPIS_MOSI	DO	Configured as a SPI slave this pin is the SPI data input
28	SPIS_CLK	DI	Configured as a SPI slave this pin is the SPI
29	SPIS_CS _n	DI	Configured as a SPI slave this pin is the SPI chip select. This is an active low enable input. The high-to-low transition on SPIC _S _n signals the start of a new SPI transaction. This is also the ADC function of the nRF52and DEEPSLEEP states and may cause spurious interrupts unless pulled low.
30	GPIO_3	DO	Control internal DC-DC converters in the module
31	GPIO_2	DO	This pin is configured for use as a TXLED driving pin that can be used to light a LED during transmit mode.

32	BT_WAKE_UP	DI	When this pin is asserted to its active low state the Bluetooth device will advertise its availability for 20 seconds by broadcasting advertising packets. This is also the ADC function of the nRF52832.
33	RESETn	DI	Reset pin. Active Low Input.
34	GND	G	Common ground.

Table 6-1: SKU609 Pin Description

- (1) P:Power supply
- (2) DI:Default Input
- (3) DO:Default Output
- (4) DIO:Default Input/Output
- (5) G:Ground

nRF52832 Pin	Function
PO.19	DW_IRQ
PO.16	DW_SCK
PO.20	DW_MOSI
PO.18	DW_MISO
PO.17	DW_SPI_CS
PO.24	DW_RST
PO.25	ACC_IRQ
PO.29	I2C_SDA
PO.28	I2C_SCL

Table 6-2: Internal nRF52832 pins used and their function

DW1000's GPIOs 5,6 control the DW1000 SPI mode configuration. Within the DWM1001 module, those GPIOs are unconnected and will be internally pulled down. Consequently, SPI will be set to mode 0

I2C slave device	Address
LIS2DH12	0X19

Table6-3: I2C slave devices address I2C

7 PCB Design Guide

When designing the PCB onto which SKU609 will be soldered, the proximity of the SKU609 on-board ceramic monopole antenna to metal and other non-RF transparent materials needs to be considered carefully. Two suggested placement schemes are shown below. In the areas marked “Keep-Out Area” there should be no metal either side, above or below (e.g. do not place battery under antenna). The placement schemes in Figure 7-1 show an application board with no non-RF transparent material in the keep-out area, or an application board with the antenna projecting off of the board so that the keep out area is in free-space. In this second scheme it is still important not to place metal components above or below the antenna in a system implementation.

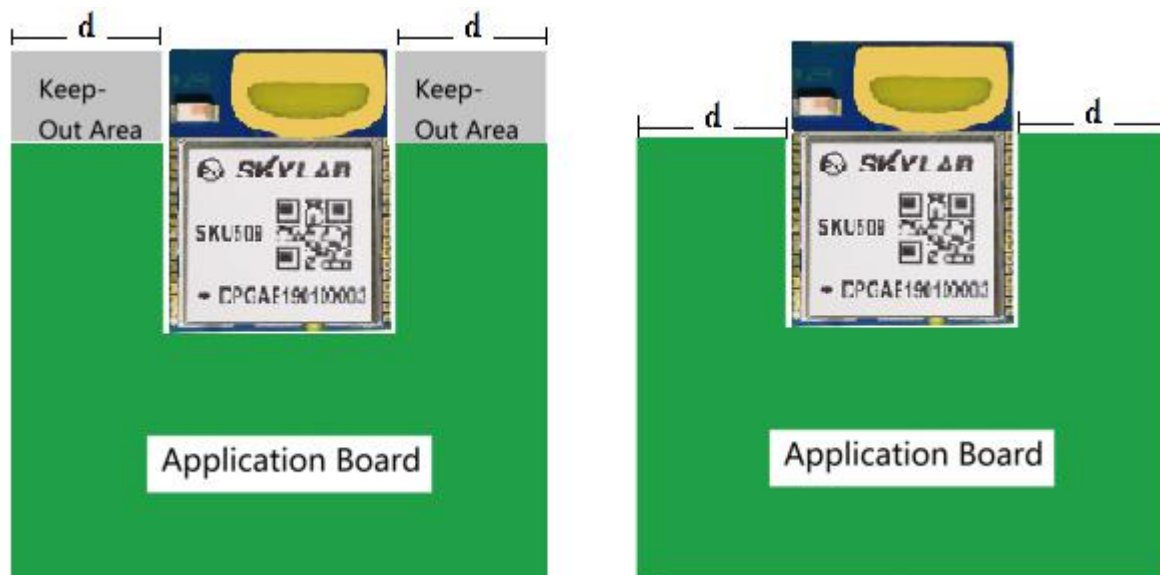


Figure 7-1: SKU609 Typical Lead-free Soldering Profile

8 PCB Footprint and Dimensions

8.1 Module Drawings

All measurements are given in millimetres.

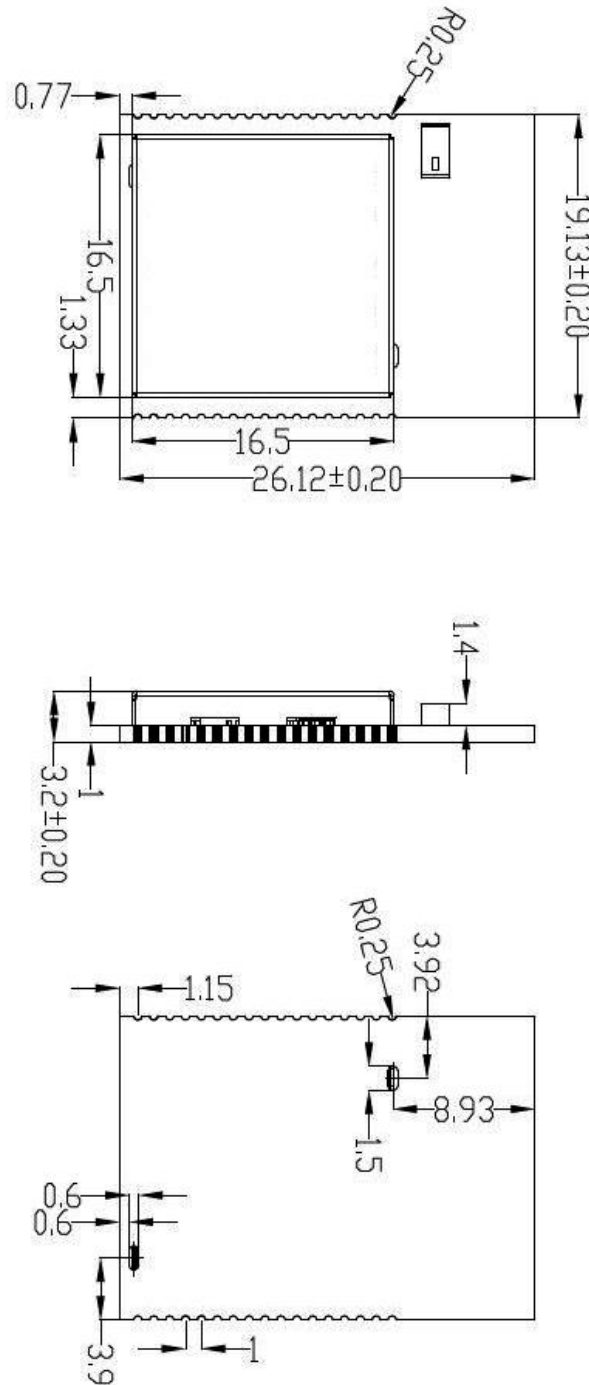


Figure 8-1: SKU609 PCB Footprint and Dimensions(units: mm)

8.2 Module Land Pattern

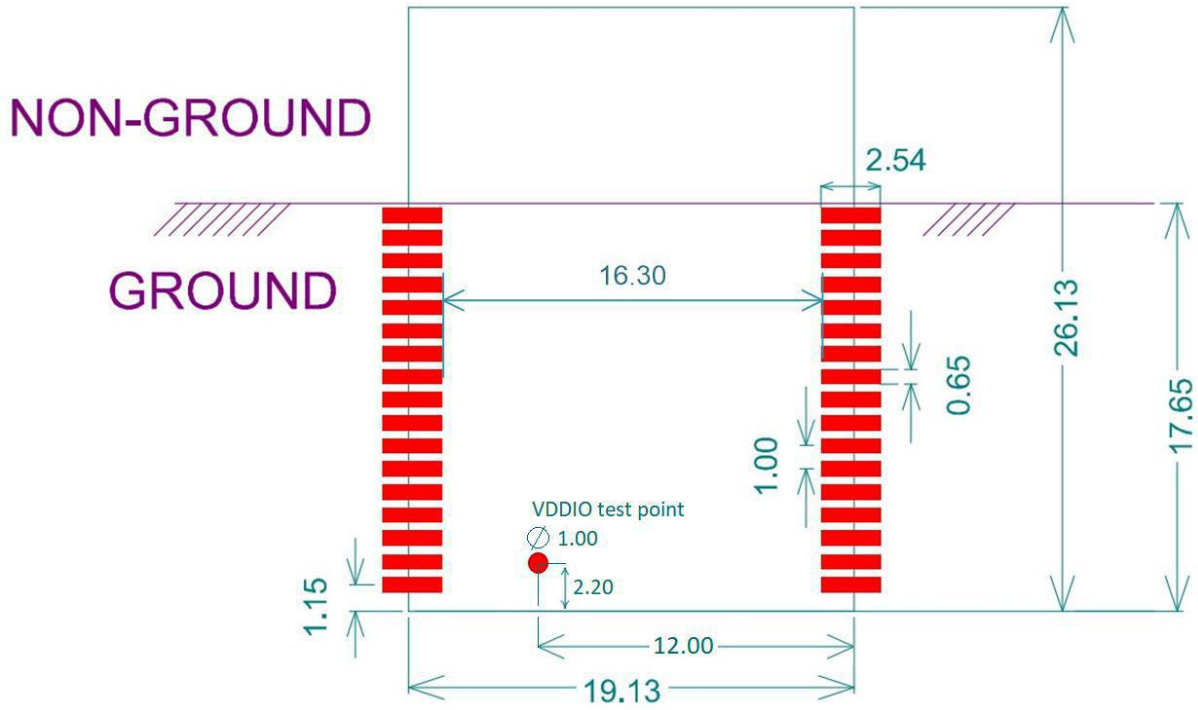


Figure 8-2: SKU609 Module Land Pattern (units: mm)

9 Manufacturing Process Recommendations

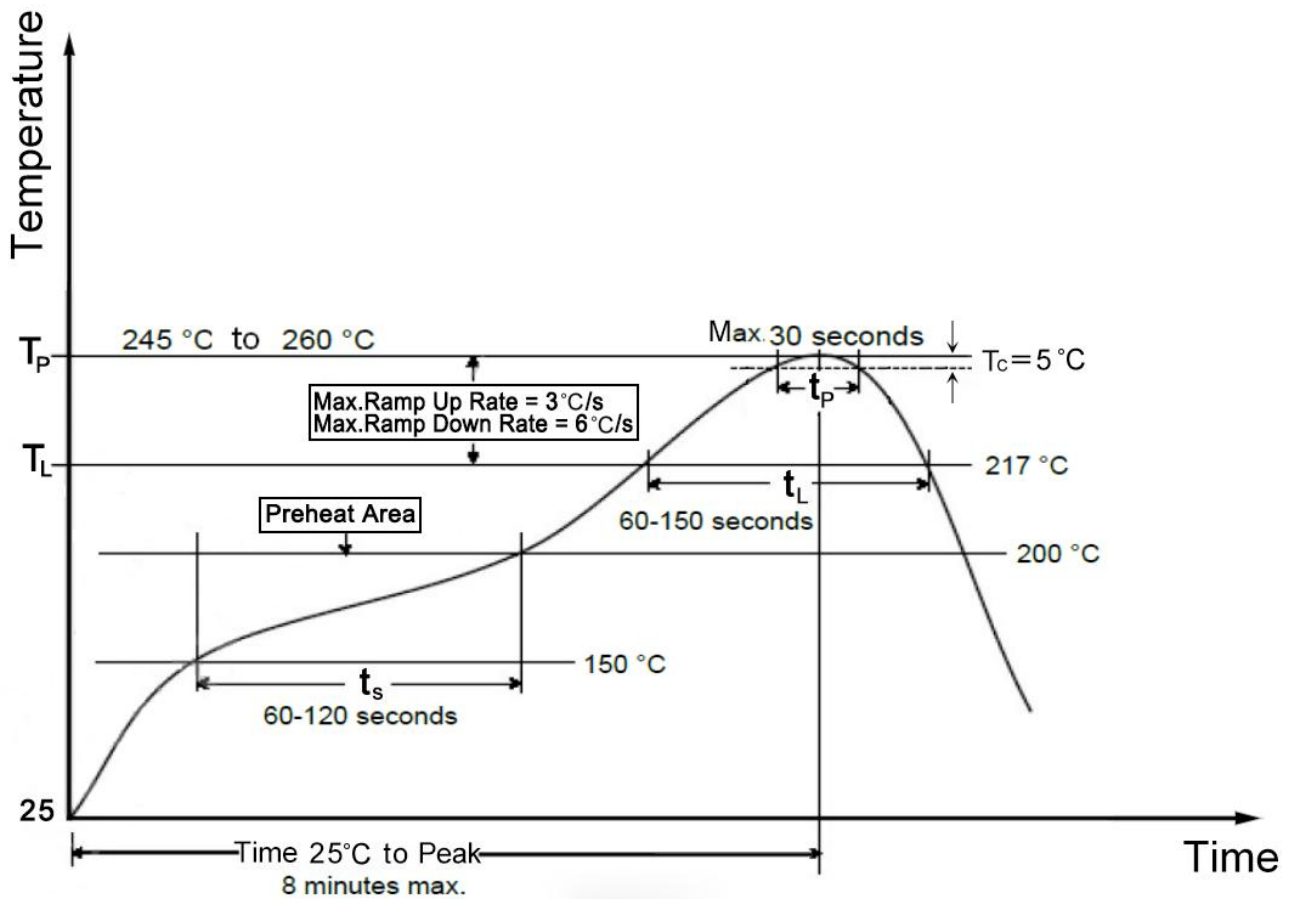


Figure 9-1: SKU609 Typical Lead-free Soldering Profile

Note: The final re-flow soldering temperature map chosen at the factory depends on additional external factors, for example, choice of soldering paste, size, thickness and properties of the module's baseboard etc. Exceeding the maximum soldering temperature in the recommended soldering profile may permanently damage the module.

10 Packaging Specification

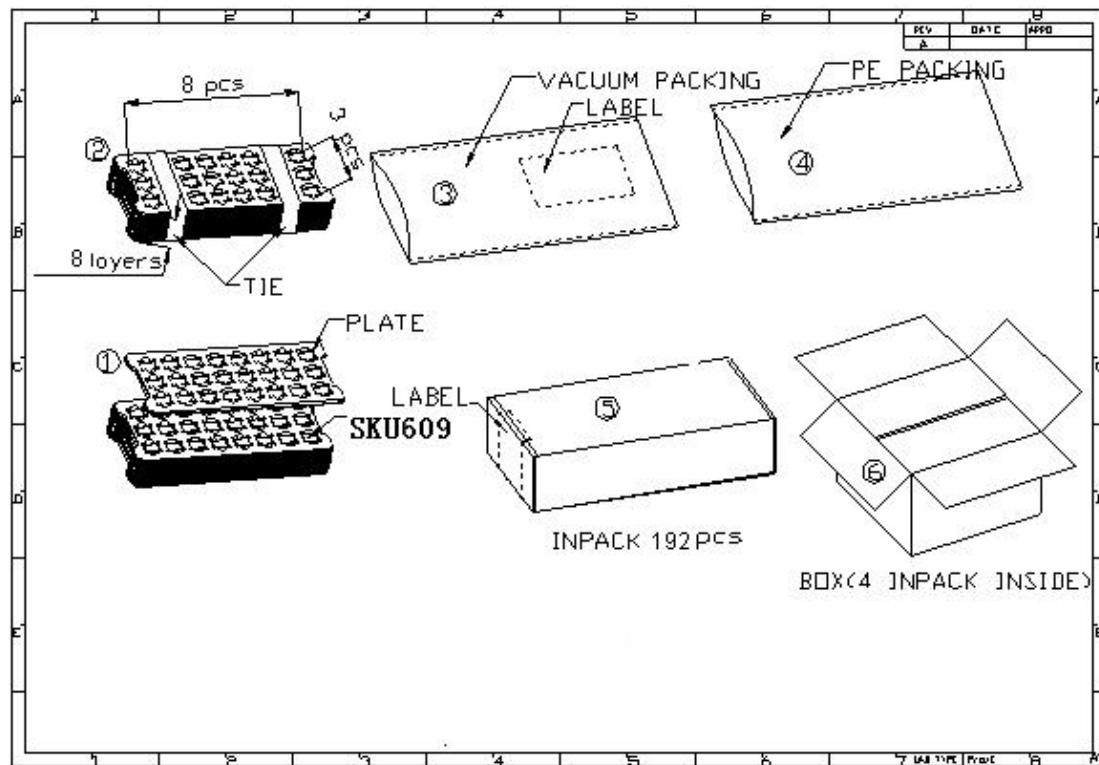


Figure10-1: SKU609 Packaging

SKU609 modules are put into tray and 528 units per tray. Each tray is 'dry' and vacuum packaging.



SKU609 series modules are Electrostatic Sensitive Devices and require special precautions while handling.

ESD precautions

The SKU609 modules contain highly sensitive electronic circuitry and are Electrostatic Sensitive Devices (ESD). Handling the SKU609 modules without proper ESD protection may destroy or damage them permanently.

The SKU603 modules are electrostatic sensitive devices (ESD) and require special ESD precautions typically applied to ESD sensitive components. Proper ESD handling and packaging procedures must be applied

throughout the processing, handling, transportation and operation of any application that incorporates the SKU609 module. Don't touch the module by hand or solder with non-anti-static soldering iron to avoid damage to the module.

11 Contact Information

Skylab M&C Technology Co., Ltd.

深圳市天工测控技术有限公司

Address: 6 Floor, No.9 Building, Lijincheng Scientific & Technical park, Gongye East Road,

Longhua District, Shenzhen, Guangdong, China

Phone: 86-755 8340 8210 (Sales Support)

Phone: 86-755 8340 8510 (Technical Support)

Fax: 86-755-8340 8560

E-Mail: technicalsupport@skylab.com.cn

Website: www.skylab.com.cn www.skylabmodule.com