

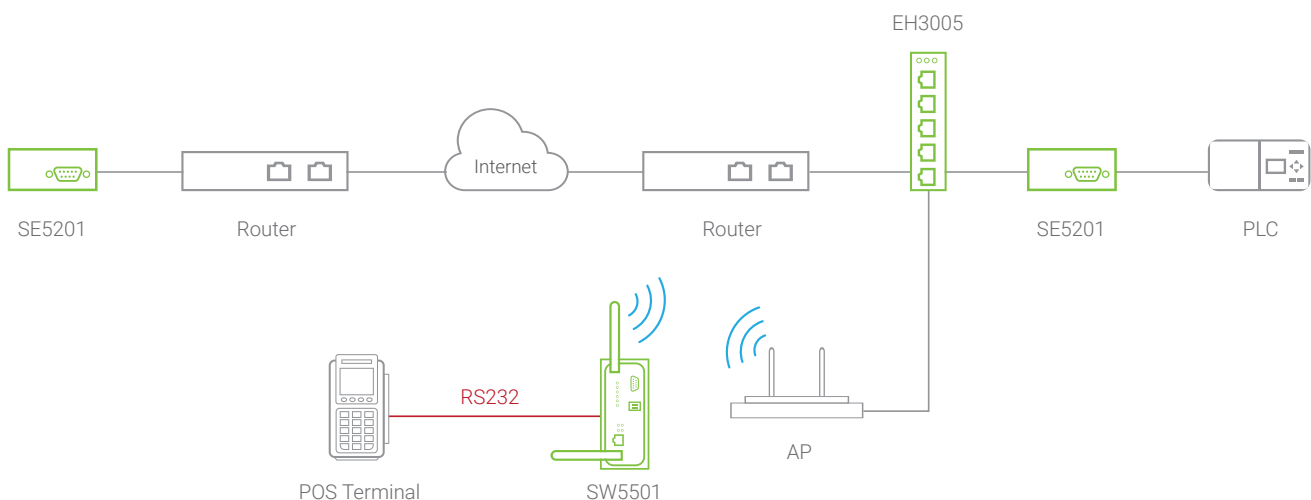


FEATURE HIGHLIGHTS

- 5 x 10/100 BaseT(X) RJ45 port
- Broadcast storm protection
- Support IEEE802.3/802.3u/802.3x
- Support 802.1q/p for VLAN tagging and class of service
- Auto MDI/MDI-X
- Redundant DC power inputs
- Operation temperature from -40 to 70 °C
- DIN-Rail mounting
- Slim type, plastic housing

PRODUCT DESCRIPTION

EH3005 with 5 RJ-45 ports for your industrial applications. It designs to work in the industrial environment, such as in hazardous locations that comply with CE, FCC and UL standards. The slim design is useful for the application with limited cabinet space. EH3005 provides two redundant power inputs that can be connected simultaneously to wide-range DC power sources. If one of the power inputs failure, the other live source acts as a backup to provide the EH3005 power needs automatically.



SPECIFICATIONS

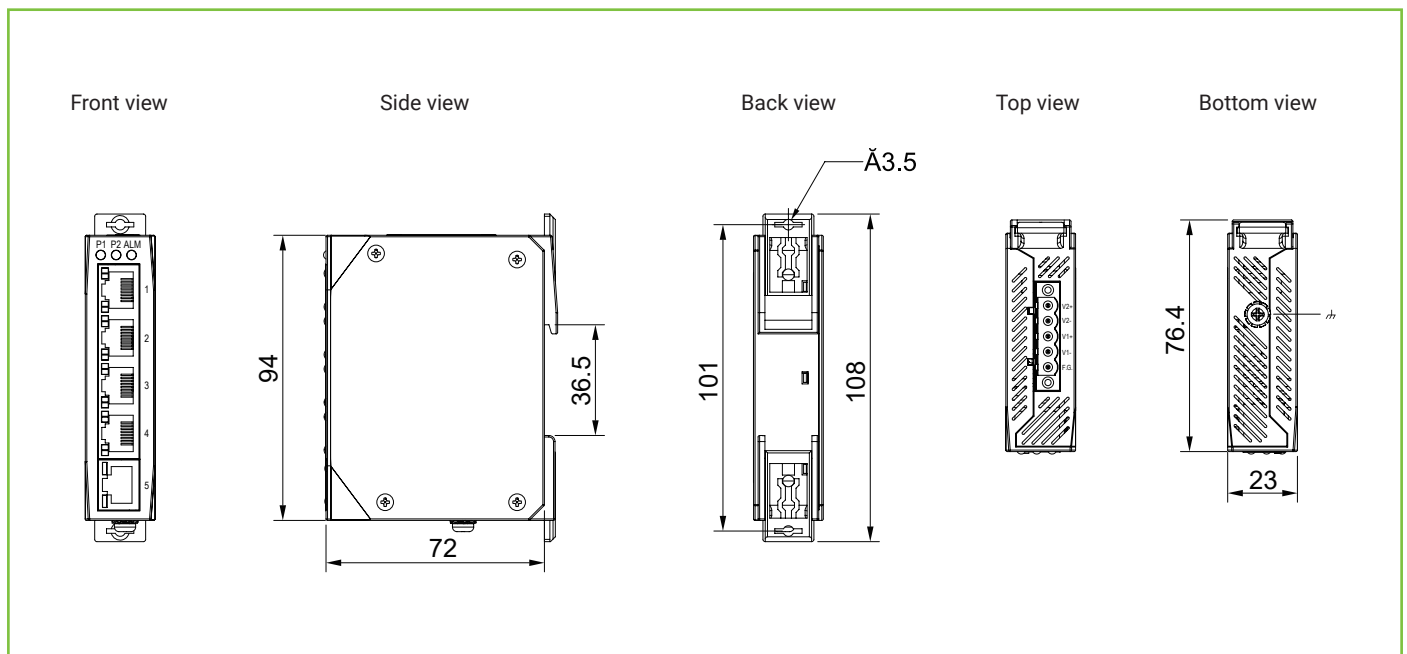
Technical Specifications	
Model Name	EH3005
Switch Properties	
Processing Scheme	Store-and-Forward
MAC Table Size	1K
Packet Buffer	448Kb
Ethernet	
Compliance	IEEE 802.3 for 10Base-T IEEE 802.3u for 100Base-T(X) and 100Base-FX IEEE 802.3x for Flow Control, back pressure flow control IEEE 802.1q/p for VLAN Tagging and Class of Service IEEE 802.3az for Energy Efficient Ethernet
Auto MDI/MDI-X	Yes
Power	
Dual Input Voltage	12 - 48 VDC
Input Current	TBD
Power Consumption	TBD
Reverse Polarity Protection	Present
Connection	Lockable 5-pin terminal blocks for power input
LED	
Indicators	PWR1, PWR2, Alarm, ALM, LAN
Physical Characteristics	
Housing	IP30 protection, Plastic, Black
Dimension (W x H x D)	Slim type, 23mm x 94mm x 72mm
Weight	TBD
Installation	DIN-Rail mounting
Environmental Limits	
Operating Temperature	-40 to 70°C (-40°F to 158°F)
Storage Temperature	-40 to 85°C (-40°F to 185°F)
Ambient Relative Humidity	5 to 95%, 55°C (non-condensing)

REGULATORY APPROVALS

Regulatory Approvals	
Safety	UL/IEC 62368-1, UL/IEC(CB) 60950-1
FCC(EMI)	FCC Part 15, Subpart B, Class A
CE(EMI)	EN 55032:2013 EN 61000-3-2: 2014, Class A EN 61000-3-3: 2013 EN 61000-6-4: 2007 + A1: 2011
CE(EMS)	EN 55024: 2010 + A1:2015 EN 61000-6-2: 2005 + AC: 2005

Test	Version	Item	Value	Level	Criterion	
IEC 61000-4-2	2008	ESD	Contact Discharge	±6KV	3	B
			Air Discharge	±8KV	3	B
IEC 61000-4-3	2010	RS	80-1000MHz	10 (V/m)	3	A
IEC 61000-4-4	2012	EFT	DC Power Port	±2.0KV	3	B
			LAN Port	±2.0KV	4	B
IEC 61000-4-5	2014	Surge	DC Power Port	Line-to Line±0.5KV	3	B
			DC Power Port	Line-to Earth±0.5KV	3	B
			LAN Port	Line-to Earth±2.0KV	3	B
IEC 61000-4-6	2013	CS	0.15-80MHz	10 Vrms	3	A
IEC 61000-4-8	2009	PFMF	Enclosure	AC 50Hz 10A/m	3	A
IEC 61000-4-11	2004	DIP	AC Power Port	-	-	-
Shock	IEC 60068-2-27					
Drop	IEC 60068-2-32					
Vibration	IEC 60068-2-6					
Noise Immunity	Simulator noise 500 Vp-p, noise width: 1 µs by noise simulator of 25 to 60 Hz in noise frequency					
RoHS	YES					
MTBF	20 years (TBD)					
Warranty	5 Years					

DIMENSIONS & LAYOUT



ORDERING INFORMATION

Ordering information

Model name	Part Number	Enclosure	RJ45 ports
EH3005	1P1EH300500001G	Plastic	5

Optional Accessories

Model name	Part Number	Description
SDR-75-24	50500752240001G	75W/3.2A DIN-Rail 24VDC power supply with universal 88~264VAC / 124~370VDC input